






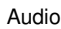



1023322330

## ZIPS-WC | IP Cabinet Speaker

Zenitel IP Speaker - Wallmount Cabinet



- ✓ Zenitel Audio Presence - crystal clear audio
- ✓ Weatherproof housing - IP66
- ✓ Max output 103 dB SPL (1kHz/1m)
- ✓ Ideal for Micro Zone PA and systems that require a limited number of speakers
- ✓ Each speaker is individually addressable and monitored
- ✓ ONVIF Compatible
- ✓ Remote software upgrade and configuration
- ✓ Powered from the IP network cable using Power over Ethernet (PoE)

 SIP  IC-EDGE  IC-Edge  ICX-AlphaCom  IP66  Audio  Automatic Volume  HD Voice  Network

## Description

The Zenitel Wall-Mount IP Speaker is equipped with a Class D amplifier, powered via PoE, optimises performance for both voice and multimedia signals. Capable of delivering up to 103 dB SPL peak (1 kHz at 1m) and 99 dB SPL (1m) for continuous signals, it provides clear and reliable audio.

This wall-mounted speaker is ideal for indoor environments that require robust sound output while maintaining a focus on aesthetics; this might be in corporate and public buildings, datacenters, or buildings within the higher education sector. The high IP-rating also allows for installation on outdoor, customer facing applications such as partially covered waiting areas for public transport applications.

The integrated speaker-as-microphone technology enables two-way communication, ambient listening, automatic volume control, and more – all through the speaker.

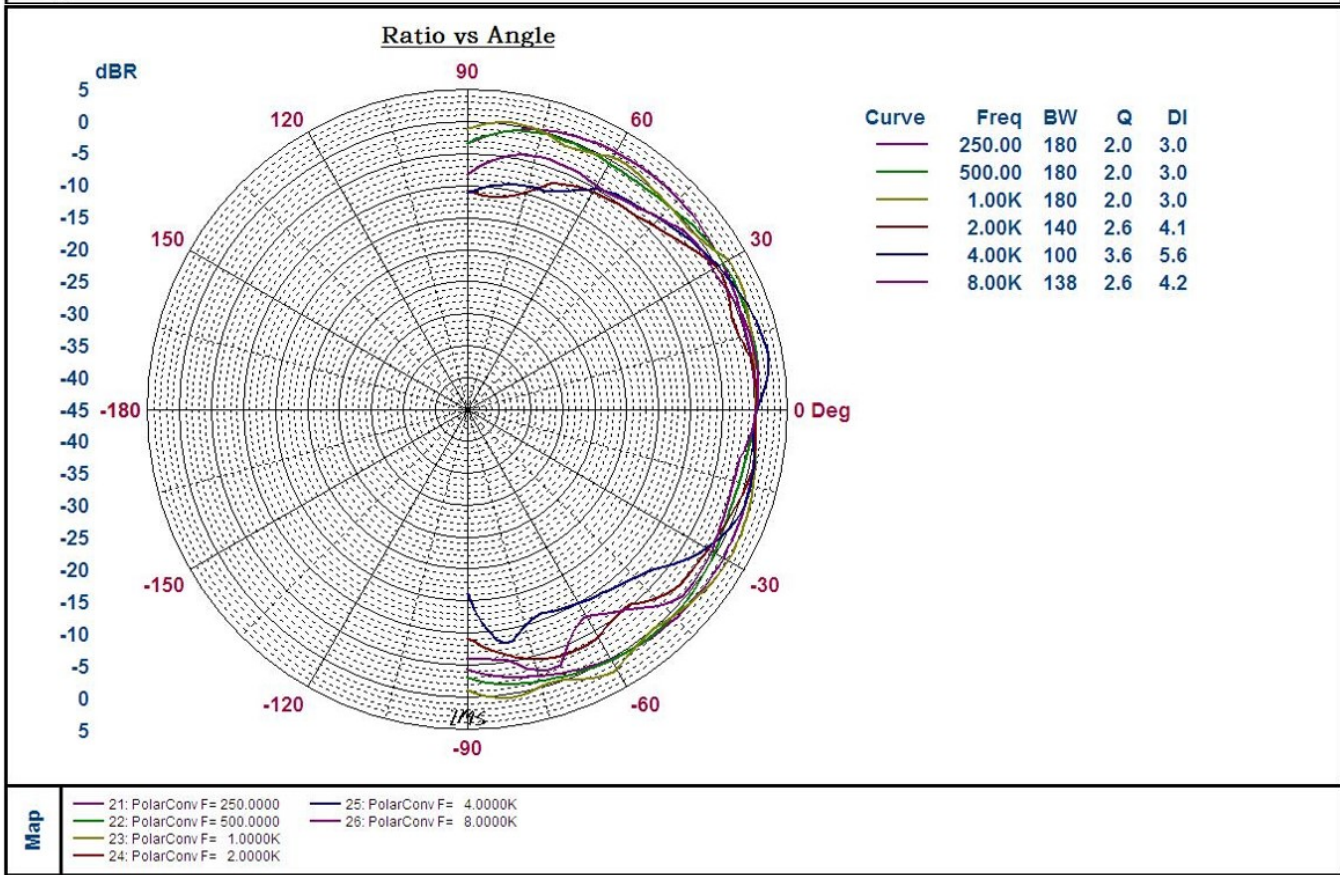
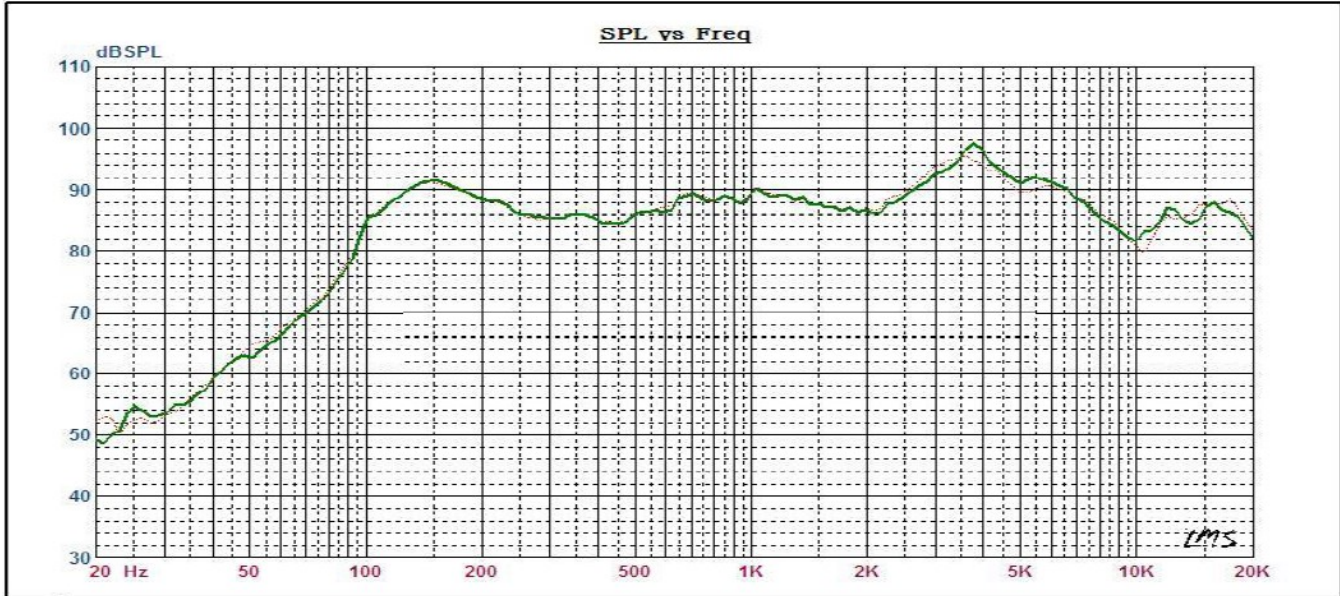
With IP technology, the system allows each speaker to be individually monitored and managed. By incorporating the amplifier directly into the speaker, the need for a central amplifier unit and traditional speaker loops is eliminated. This design makes the system highly scalable, simplifying the addition of more speakers.

Even without conventional speaker loops, speakers can be organised into zones, which can now extend across networks or even over the Internet.

To ensure maximum reliability, the speaker includes advanced supervision features. It is self-monitoring, capable of detecting faults in the network or speaker electronics, and reports status updates to the central unit and third-party management systems via SNMP or Syslog.

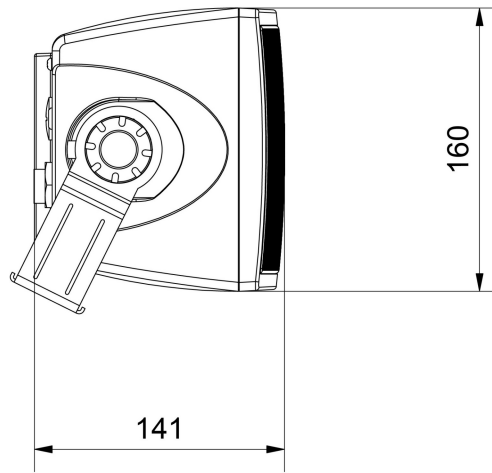
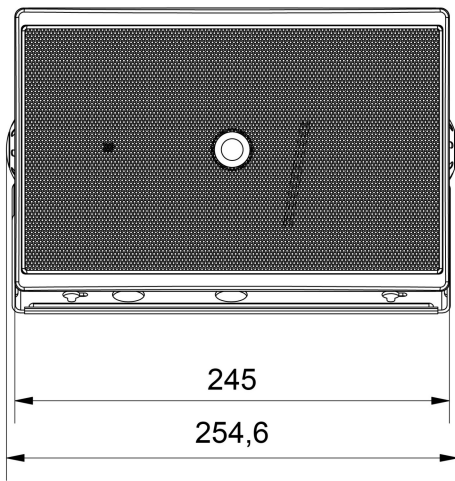
The speaker is auto-discoverable and can receive messages or enable talkback functionality directly with a VMS using ONVIF.

Polar Plot:



Map  
 21: PolarConv F= 250.0000    25: PolarConv F= 4.0000K  
 22: PolarConv F= 500.0000    26: PolarConv F= 8.0000K  
 23: PolarConv F= 1.0000K  
 24: PolarConv F= 2.0000K

## Technical Dimensions



# Specifications

## GENERAL

|  |   |
|--|---|
| Codecs                                   | G.711, G.722                                    |
| Frequency range, G.722<br>Codec          | 200 Hz – 7000 Hz                                |
| Frequency range (speaker<br>driver)      | 90 Hz - 20KHz ( $\pm$ 20%)                      |
| Max continuous SPL (6dB<br>crest factor) | 99 dBA  |
| Max SPL @ 1kHz/1m                        | 103 dBA   |
| Output Power<br>(Continuous/Peak)        | 7.5W/30W  |
| IP Rating                                | IP66+67   |
| Dimensions (W x H x D)                   | 160 x 255 x 189 mm                              |
| Weight                                   | 2,1 kg  |
| Mounting                                 | Aluminium, U Shaped Bracket,<br>Painted RAL9010 |
| Material / Color (Enclosure)             | ABS 765A, White RAL 9010                        |
| Material / Color (Grille)                | Coated aluminum, White RAL<br>9010              |
| Connection Cable Size                    | Ø6-7 mm   |
| Boxed Dimensions (WxHxD)                 | TBC   |
| Boxed Weight                             | 2.31 kg   |

## NETWORKING AND PROTOCOLS

|                                |  |
|--------------------------------|--|
| Protocols                      | IPv4 (with DiffServ), SIP, TCP, UDP, HTTPS, TFTP, RTP, DHCP, SNMP, ONVIF, CCoIP®, NTP                                  |
| LAN protocols                  | Power over Ethernet (IEEE 802.3 a-f) Network Access Control (IEEE 802.1x)  |
| Management and operation       | HTTP/HTTPS (Web configuration) DHCP and static IP + IC-EDGE. Remote automatic software upgrade. Centralized monitoring |
| Advanced supervision functions | E.g. network test, tone test, status reports   |
| SIP support                    | RFC 3261 (SIP base standard), RFC 3515 (SIP refer), RFC 2976 (SIP info)  |
| DTMF support                   | RFC 2833, 2976 (SIP info)  |

## HARDWARE

|                            |   |
|----------------------------|---|
| Ethernet connector         | 1 x RJ 45   |
| All other connectors       | Tool less, spring loaded, vibration proof terminals |
| General inputs and outputs | 1x GPIO; 1x mic/line input                          |
| Output                     | 12mA as LED drivers                                 |
| Change-over relay (NO+COM) | 48V nominal, max. 100VDC, 70VAC                     |
| Power options              | PoE   |
| PoE (power over Ethernet)  | IEEE 802.3af standard, Class 3 (6.49W to 12.95 W)   |
| Max current consumption    | 0.35 A  |
| Secondary speaker line out | 8 Ohm   |

## ENVIRONMENT AND COMPLIANCES

|                             |                                 |
|-----------------------------|---------------------------------|
| Operating temperature range | -40° to 70° C / -40° to 158 ° F |
| Storage temperature range   | -40° to 70° C / -40° to 158 ° F |
| Relative humidity           | < 95% not condensing            |
| EMC                         | CE and FCC Part 15              |

## OTHER SPECIFICATIONS

|                        |   |
|------------------------|---|
| System boot time       | Under 10 seconds  |
| IP address information | Speaks IP address after system boot (requires connected loudspeaker)          |
| DIN-rail clips         | Wago 209 (included)   |
| Country of manufacture | Norway  |
| Warranty               | 2 Years standard warranty, extendible up to total of 5 years (additional fee) |

## Accessories



### EMCG-1

Microphone for Network  
Loudspeakers