

2810021001

Wall-mount Backbox for Cleanroom Station

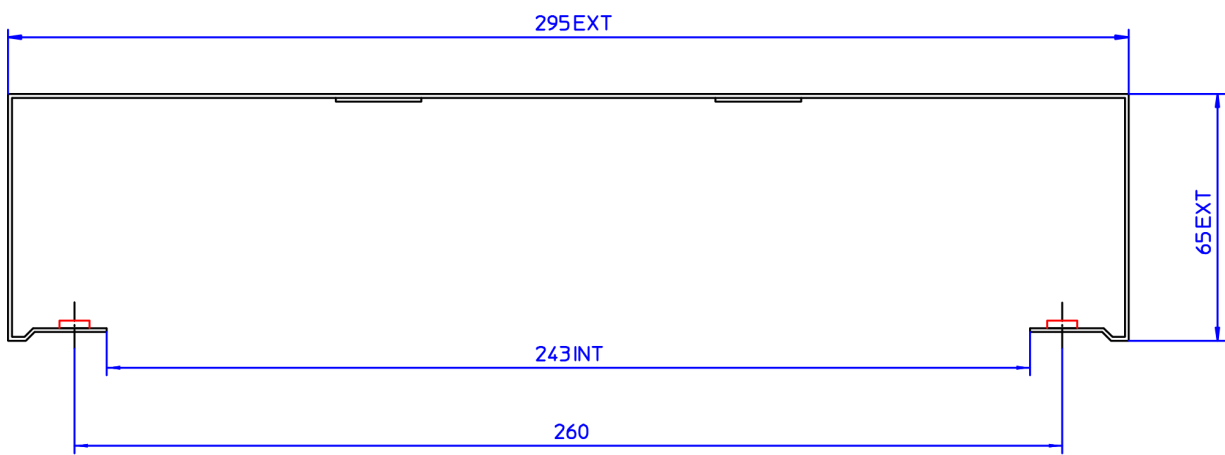
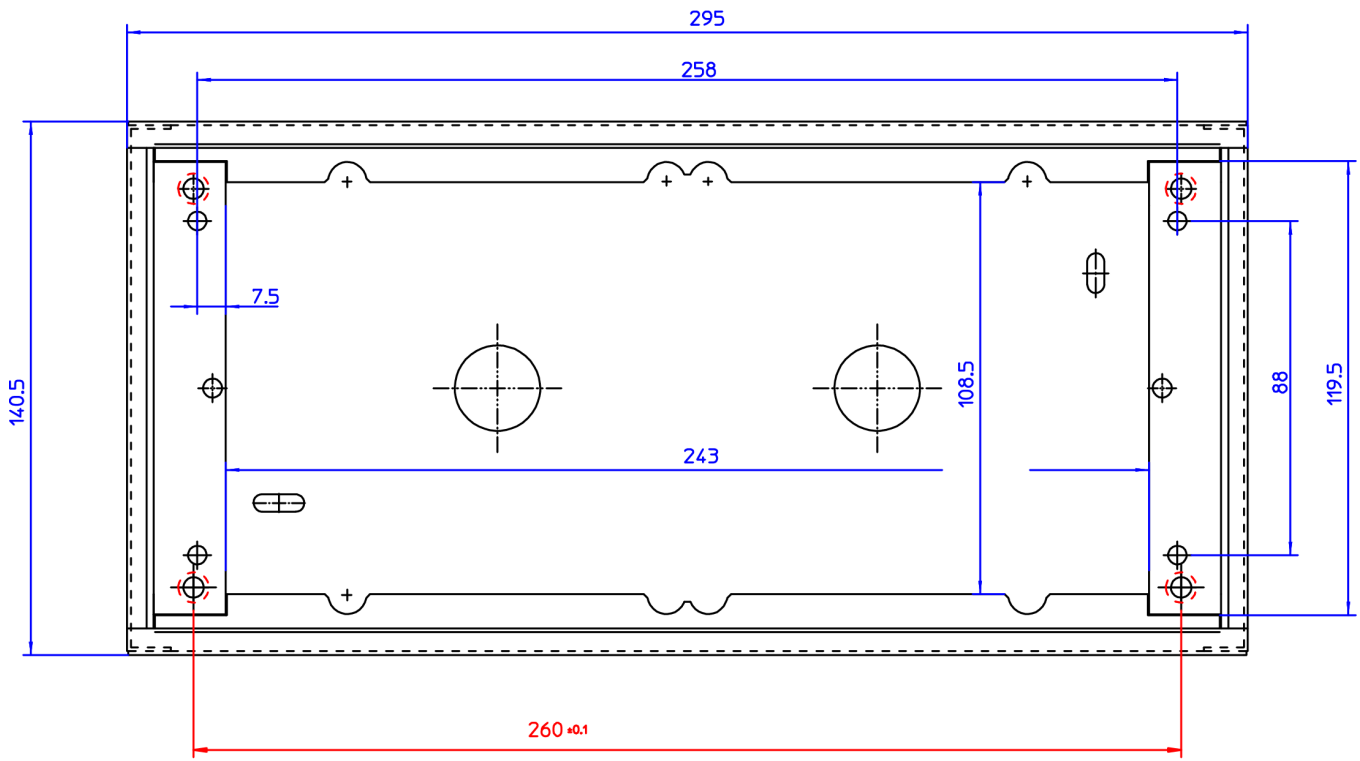


Description

Wall-mount backbox for:

✔ 1008415000 - IP-CROR Cleanroom Station

Technical Dimensions



Specifications

GENERAL

Size (WxHxD)	140.5 x 295 x 65 mm
Weight	0.9 kg
Material	Zincor – Color Grey RAL 9006

Used With



Clean Room Intercom Station IP-CROR

IP Intercom Station for Clean Rooms
and Hospital Operating Rooms