

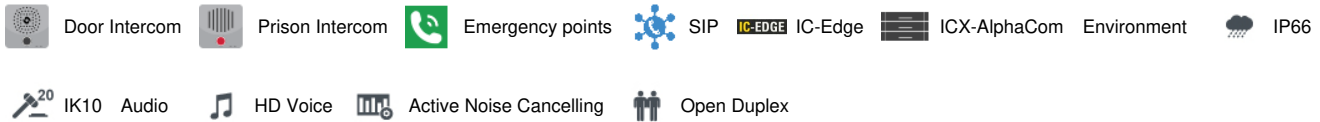
1008021010

VR3G-1

Vandal Resistant, 3 gang, 1 button IP and SIP Intercom



- ✓ Powerful audio technology, including high sound pressure, automatic gain control, and active noise echo canceling
- ✓ Vandal Resistant Design with IK10
- ✓ IP66 - Dirt, dust and water resistant
- ✓ Tamper switch
- ✓ Anti-ligature design
- ✓ Cybersecurity compliant
- ✓ Can operate in SIP, IC-EDGE, and ICX-AlphaCom mode

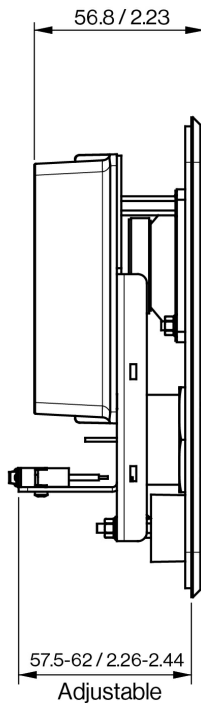
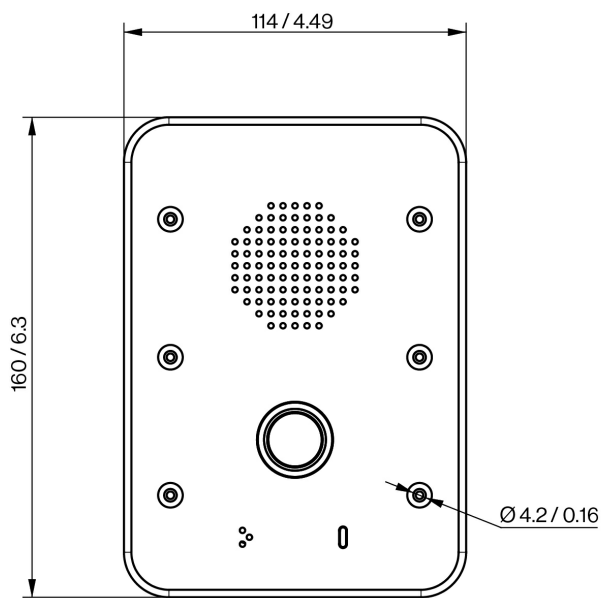


Description

The Vandal Resistant Intercom Station VR3G-1 utilizes the latest technology to create unparalleled audio quality. Some of the many features include: HD voice quality, Open Duplex, Active Noise Cancellation, and an Electret Omni Directional microphone. These features, in conjunction with the company's 70+ years of experience with acoustic technology, are just a few of the many factors that contribute to our superior audio quality.

[See Zenitel Wiki for more information](#)

Technical Dimensions



All dimensions in mm / in

Adjustable

Specifications

AUDIO

Noise cancelling	Yes. Suppression of musical noise, suppression of static noise, suppression of rapidly changing noise
Codecs	G.711, G.722, G.729
Frequency range, G.722 Codec	200 Hz – 7000 Hz
Audio technology	Modes: Full open duplex, switched open duplex, Adaptive jitter filter, Local tone generator, Audio mixing - 3 channels, Sound level detection (scream alarm), Automatic gain control (microphone), Automatic volume adjustment
Internal speaker	3 W
Microphone technology	Electret Omni Directional microphone
Automatic Volume Control (AVC)	Yes
Acoustic Echo Cancellation (AEC)	Yes
SPL peak power at 1m	80 dBA
Voice signal at 1m	68 dBA

HARDWARE

Ethernet connector	1 x RJ-45
All other connectors	Tool less, spring loaded, vibration proof terminals
General inputs and outputs	6 (configurable)
Outputs	12mA as LED drivers
SELV (Safety Extra Low Voltage)	2A, 60W
Power options	PoE and/or external power supply
PoE (Power over Ethernet)	IEEE 802.3af standard, Class 0 (0.44W to 12.95 W)
Power consumption	Idle 1.8W, max 12W (depending on volume)
External power supply	24 - 48 VDC (24 – 48 V)
Audio line out / induction loop signal	600 Ohm

CONSTRUCTION

Dimensions (HxWxD)	160x114x60mm
Dimensions after flush mount	160x114x5mm
Weight	0.726
Faceplate material	A4 steel
Electronics cover material	Polycarbonate (translucent)
Gasket material	low density soft EPDM-foam (closed cell), t:2mm.
Button material	A4 steel
Button travel length	3mm

NETWORKING & PROTOCOLS

Protocols	IPv4 (with DiffServ), SIP, TCP, UDP, HTTPS, TFTP, RTP, DHCP, SNMP, ONVIF, CoIP®, NTP
LAN protocols	Power over Ethernet (IEEE 802.3 a-f) Network Access Control (IEEE 802.1x)
Management and operation	HTTP/HTTPS (Web configuration) DHCP and static IP + IC-EDGE. Remote automatic software upgrade. Centralized monitoring
Advanced supervision functions	E.g. network test, tone test, status reports
SIP support	RFC 3261 (SIP base standard), RFC 3515 (SIP refer), RFC 2976 (SIP info)
DTMF support	RFC 2833, 2976 (SIP info)

ENVIRONMENTAL

IP rating	66
IK rating	10
Operating temperature range	-40° to 70° C / -40° to 158 ° F
Relative humidity	< 95% not condensing

OTHER SPECIFICATIONS

IP address information	Speaks IP address after system boot
Poke protection, small/large diameter objects	Ø1.8mm
Country of manufacture	Poland
Warranty	2 Years standard warranty, extendible up to total of 5 years (additional fee)

Accessories



3 Gang Flush Mount back box