

1008140225

## TA-22B

Industrial Plugbox &amp; Cable for Headset with PTT



- ✓ 10m cable
- ✓ Compact, rugged plugbox with PTT for Industrial application
- ✓ IP Rating: IP67
- ✓ For use with AK5850HS Headset
- ✓ Low smoke and halogen free cable
- ✓ Designed for Turbine Industrial intercoms



ICX-AlphaCom



Exigo



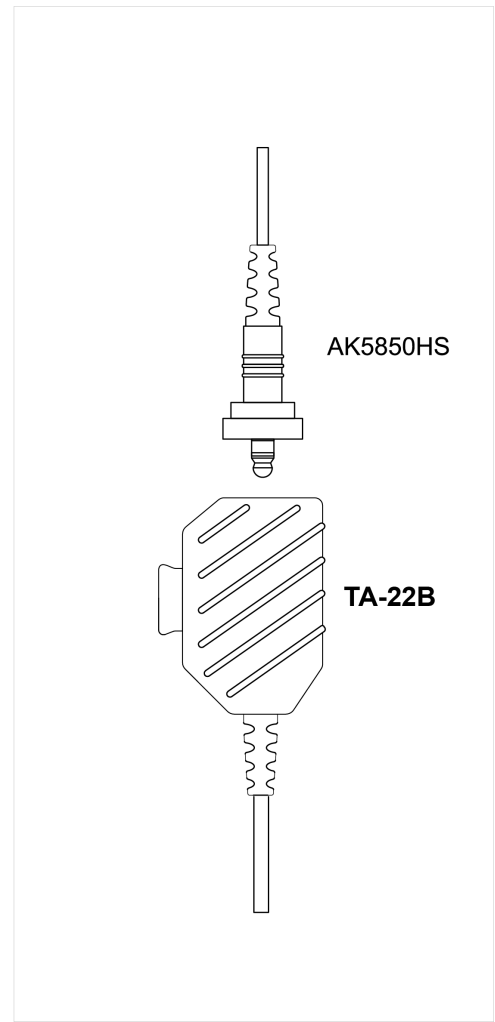
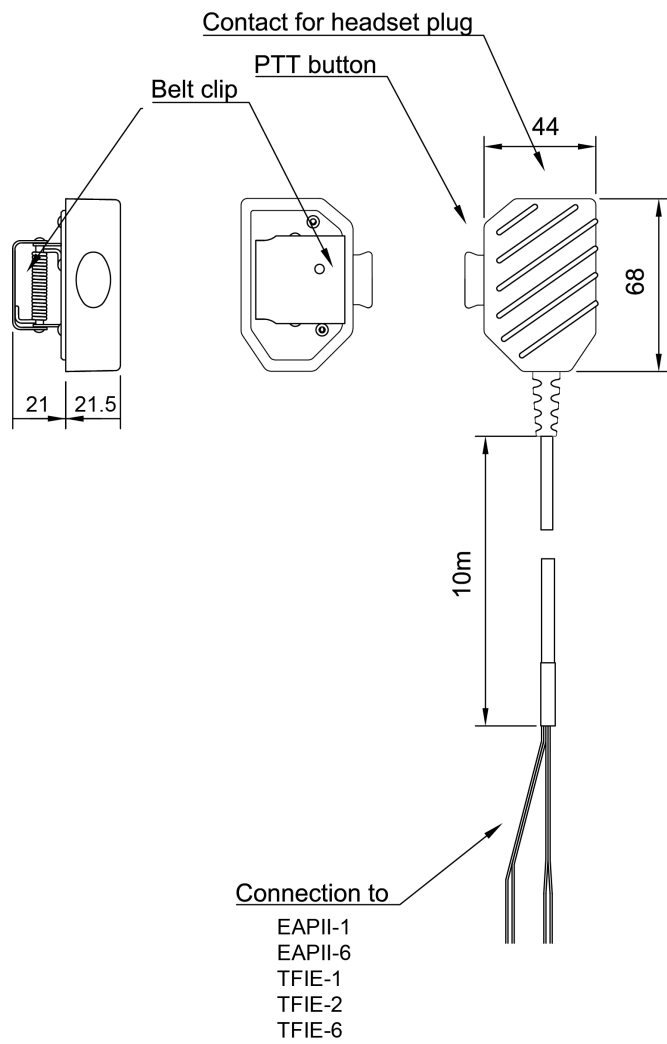
IP67

## Description

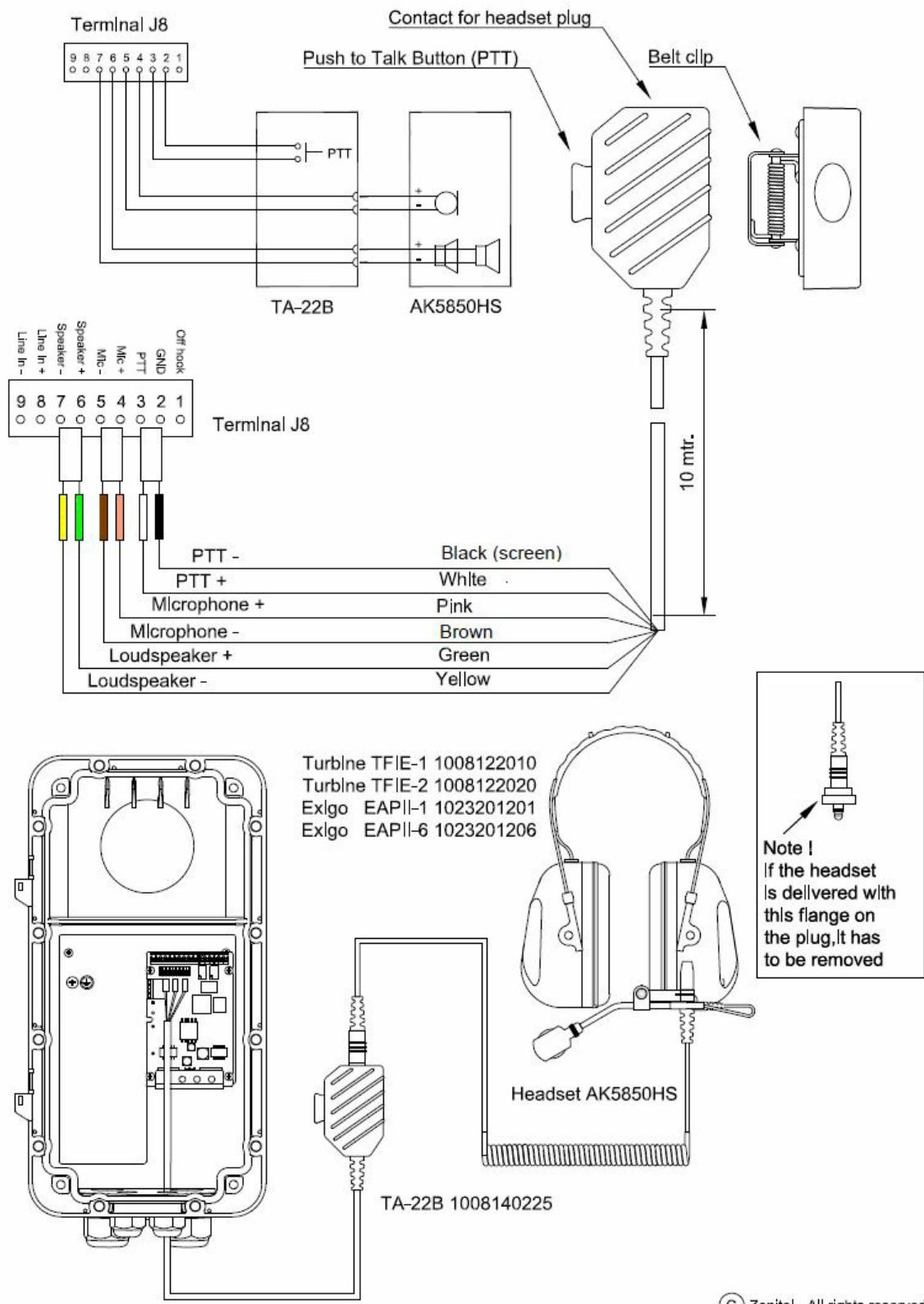
The TA-22B Cable and Plugbox complements the AK5850HS Headset in offering a long-range (10 meters), robust, pluggable solution meeting industrial headset requirements. Once connected with the AK5850HS, the plugbox offers a water- and dust-tight connection (IP67) as well as an easy-to-reach PTT button.

Any headset using a standard Nexus 4-pole connection is compatible with the TA-22B (applies to dynamic microphone only - please observe impedances and microphone sensitivities).

## Technical Dimensions



# Specifications



## GENERAL

Cable Length	10 meters
Operational Temperature	-40°C to +60°C
Ingress Protection (IP)	IP67 (once connected)

## Used With



AK5850HS

Ex-approved Headset



TFIE-1

IP and SIP Intercom



TFIE-2

IP and SIP Intercom



EAPII-1

Exigo Industrial Access Panel, 1 Button



EAPII-6

Exigo Industrial Access Panel, 6 Buttons



TFIE-6

IP and SIP Intercom