

1008472100

IPHDT-KY

IP Heavy Duty Telephone, Keypad, Armored 50cm Cord, Yellow


- ✓ Compatible with ICX-AlphaCom, IC-EDGE and iPBXs (SIP)
- ✓ Four variants: Full keyboard and hotline (no keyboard), both with or without door
- ✓ Made for critical communication in rough environments like roads, tunnels, ships (indoor use)
- ✓ Water and dust resistant (IP66)
- ✓ Very durable with 5 mm aluminum casing and stainless steel components
- ✓ Magnetic reed hook-switch ensures minimal wear and tear
- ✓ Supports VoIP with SIP and CCoIP and ONVIF protocols
- ✓ Option for GSM cellular connectivity
- ✓ Support local power and Power over Ethernet (PoE)
- ✓ Integrated data switch with advanced networking and security functions
- ✓ Supports HD Voice
- ✓ Advanced supervision functions

 SIP
  IC-EDGE
  IC-Edge
  ICX-AlphaCom
  IP66

Description

The IP Heavy Duty Telephone is made for environments that need a telephone which can withstand rough usage and treatment. The telephone is well suited for heavy duty usage due to the thick aluminum casing, stainless steel materials, and high ingress protection (IP66). Note that the units are not intended for use on deck of ships unless well protected from salty air and salt water.

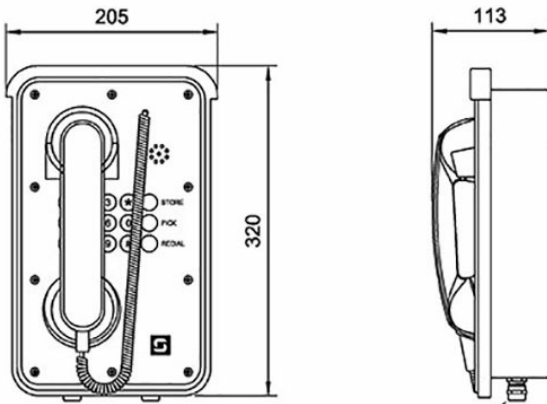
The IP telephone supports open standards and is compatible with ICX-AlphaCom, IC-EDGE and iPBXs using SIP technology. When working in ICX-AlphaCom mode, the IP telephone supports special services only available using the CCoIP protocol and AlphaCom server. Examples of services are emergency broadcast with volume override, CCTV integration, call priority, and AlphaNet multisite networking and event scripting.

The station provides high quality conversations, using HD Voice and Zenitel's superb audio technology such as active noise filtering, echo cancellation, wide band audio codec and high power audio outputs.

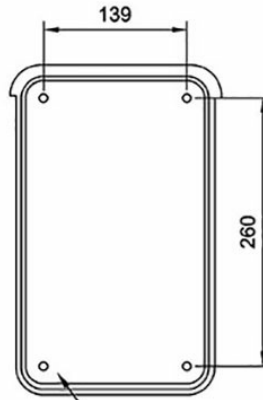
The telephone has an integrated managed data switch providing advanced networking and security features. The integrated switch provides Protection from unwanted access, support for increased system availability and improved Quality of Service (QoS) by managing data traffic. It also enables more cost-efficient installations by providing shared network connections through the integrated data switch.

As a result, instant, efficient, and secure delivery of voice and data services in an IP environment is ensured. The station has one relay and one logical output. These outputs can, for instance, be used to turn on a strobe light. The operation of the outputs is programmable. To provide maximum availability, the station comes with advanced supervision functions. The station line test will detect if there are any faults in the network or station electronics. The status of the station is reported to AlphaWeb as well as to 3rd party management systems using SNMP, Syslog or OPC.

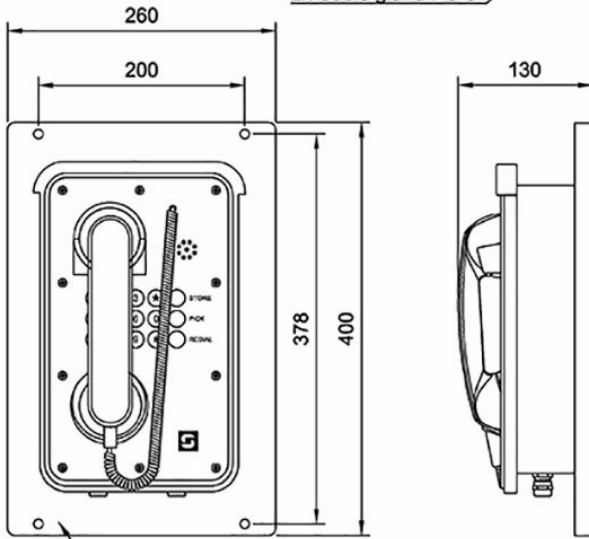
Technical Dimensions



2x Cable gland PG-9

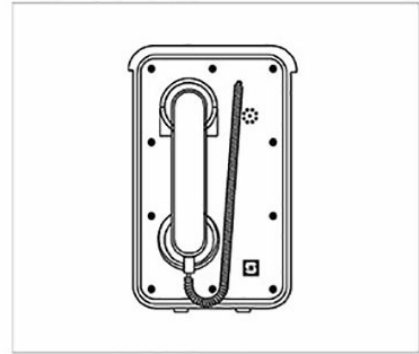


Threaded Mounting holes for 8mm bolt
Rear access



Wall mounting plate for front access
Mounting holes Ø9mm

IP Heavy Duty Telephone, Door , Hotline
O.no.1008072220 (Same dimensions)



Specifications

GENERAL

Dimensions (WxHxD)	205 x 320 x 120 mm
Weight	5.0 kg
Protection class	IP66
Construction	5 mm aluminum casing and stainless steel components
Mounting	Wall mounted
Temperature	-40°C to +60°C
Relative humidity	0% – 95%
Frequency range	200 – 7000 Hz
Remote control, Max switching capacity, Max voltage relay, Max current relay	6 configurable I/Os, 2 relays; Max: 250VAC/220VDC, 2A, 60W
SIP support	RFC 3261, SIP Info (DTMF), RFC 2833 (DTMF)
IP protocols	IP v4 - TCP - UDP - HTTPS - TFTP - RTP - RTCP - DHCP - SNMP DiffServ - TOS - ONVIF - CoIP® - SIP
LAN protocols	Power over Ethernet (IEEE 802.3 a-f), Network Access Control (IEEE 802.1x)*, STP (IEEE 802.1d), RSTP (IEEE 802.1d-2004)
Audio technology	HD Voice 200 Hz – 7 kHz (G.722), Telephony 3.4 kHz (G.711), Active noise filtering, Echo cancellation, Open duplex, Adaptive jitter filter, 1.5 Watt audio output
Power	Power over Ethernet (IEEE 802.3 a-f), Class 0, Local power 19 – 27V DC, Idle 2.5W, max. 4.5W
Management and operation	HTTPS (Web configuration), DHCP and static IP, TFTP (firmware and configuration download), SNMP (monitoring)
Compliance	CE and FCC Part 15
Warranty	2 Years standard warranty, extendible up to total of 5 years (additional fee)

ORDER NUMBER	DESCRIPTION	SHIP WEIGHT
1008472100	Heavy Duty IP Telephone, full keyboard	5.0 kg
1008472120	Heavy Duty IP Telephone, hotline	5.0 kg
1008472200	Heavy Duty IP Telephone, door, full keyboard	5.4 kg
1008472220	Heavy Duty IP Telephone, door, hotline	5.4 kg
Supplementary equipment:		
2200003000	GSM Media Gateway	1.2 kg
1020600992	IRR-3 Relaybox 24V DC or 220V AC - Signal Unit	0.35 kg