

1023533312

## EMMAI-2H

Handheld Compact Industrial Microphone For Exigo/Turbine



- ✓ Handheld microphone for industrial applications
- ✓ PTT key
- ✓ Bracket included
- ✓ Noise cancelling microphone
- ✓ High quality digital background noise reduction
- ✓ IP66 Rating
- ✓ Low smoke and halogen free cable
- ✓ Designed for Exigo industrial access panels and Turbine industrial intercom stations

EN54

EN 54 Certified



ICX-AlphaCom



Exigo

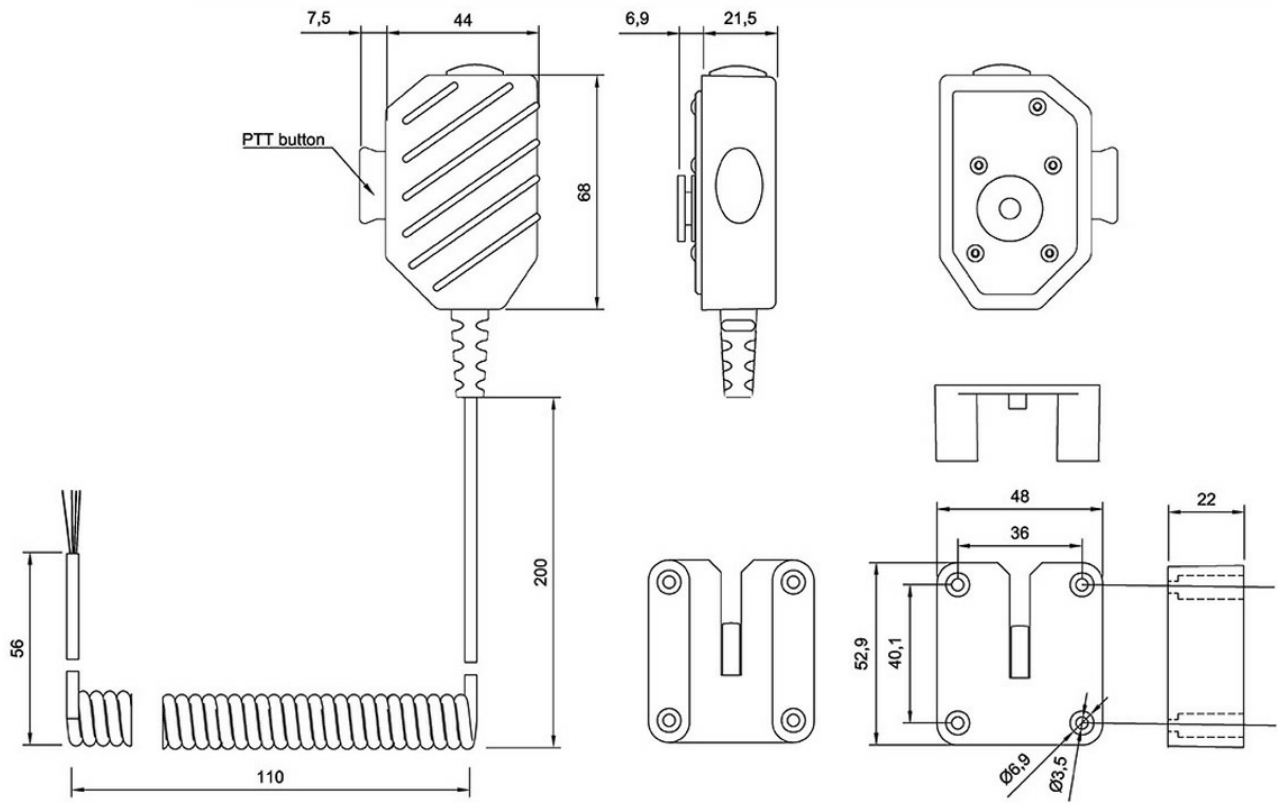


IP66

## Description

The EMMAI-2H is a handheld microphone developed specifically for the Industrial range of Turbine and Exigo devices. The small form factor and excellent ergonomics complement the outstanding audio quality. The bracket (included with microphone) allows the user to mount the device on the side of the wall box or on an adjacent surface.

## Technical Dimensions



# Specifications

## MECHANICAL

Dimensions (WxHxD)	44 x 68 x 21,5 mm
Weight	0,220 kg
Cable length	0,75 m (contracted) / 2 m (extended)
Bracket	Included
Surface	High friction, Rubberized

## ELECTRICAL

Microphone sensitivity	-43 dB $\pm$ 3 dB at 1kHz ( 0 dB = 1 V/Pa ) VDD=2 V RL=15 k $\Omega$
Directional Characteristic	Non-directional
Impedance	1.1 k $\Omega$ $\pm$ 30% at 1kHz ( RL=15 k $\Omega$ )
Phase	-179 deg $\pm$ 15 deg at 30Hz
S/N Ratio	68 dB typ. at 1kHz ( 1Pa, A weighted network )
Operating Voltage	2 V ( 1 V ~5 V )
Current Consumption	110 $\mu$ A Max. ( VDD=2 V RL=15 k $\Omega$ )
Max Input Sound Pressure Level 128 dB	128 dB S.P.L. typ. ( 1 kHz, THD = 3 % )

## ENVIRONMENTAL

IP Rating	IP66
Operating Temperature	-40° C - + 95° C
Storage Temperature	-40° C - + 105° C
Humidity	10% to 95% (non-condensing)

## COMPATIBLE EQUIPMENT

Exigo	Exigo Ex access panels (EAPII-1 & EAPII-6)
Turbine	Turbine intercom stations (TFIE-1, TFIE-2, TFIE-3 )

## Used With



EAPII-6

Exigo Industrial Access Panel, 6 Buttons



EAPII-1

Exigo Industrial Access Panel, 1 Button



TFIE-1

IP and SIP Intercom



TFIE-2

IP and SIP Intercom



TFIE-6

IP and SIP Intercom