

AK5850BS

AK5850BS Ex TwinCom Helmet Headset w/ear plug connector



Ex-approved Headset with helmet mounting and connector for ear plug

- ✓ Rugged headset for Ex and Industrial environments
- ✓ Helmet mount
- ✓ Noise-cancelling microphone
- ✓ High quality digital background noise reduction
- ✓ HD-voice compatible
- ✓ High quality audio
- ✓ Standard 4-pole Nexus connector for easy connection/replacement
- ✓ For use with Ex-approved and industrial plugbox with PTT
- ✓ Low smoke and halogen free cable
- ✓ Designed for Turbine Ex explosion-proof and industrial intercoms

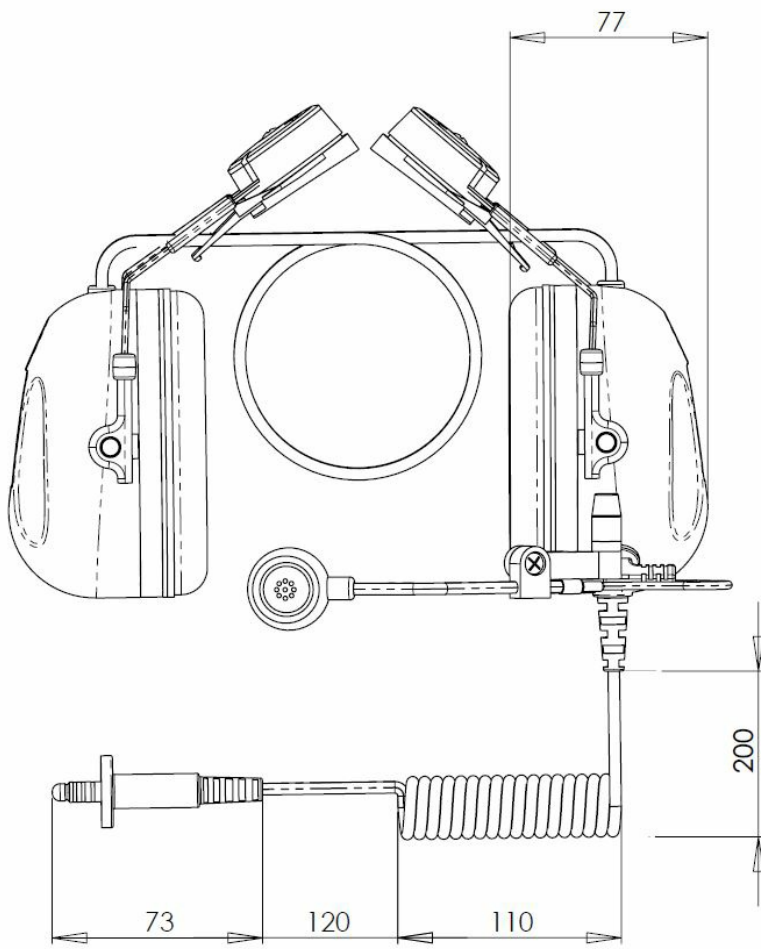
 IP54  ICX-AlphaCom  Exigo

Description

The AK5850BS is a high quality industrial Ex-approved headset for use in rugged conditions. It offers an adjustable boom microphone and a short curly cable for flexible connectivity through a 4-pole Nexus plug. This headset is designed for use with the Vingtor Stentofon Turbine Ex and Industrial Intercoms and are HD Voice compatible when used with these stations.

Used with the TAX-2B/TA-22B Cable and Plugbox with PTT, it offers an exceptional range of over 10 meters. The pluggable nature of the headset allows for easy maintenance/replacement as well as allowing operators to use their personal headset as a hearing protection aid, and disconnecting once the conversation is over.

Technical Dimensions



Specifications

MECHANICAL

Weight	438 g
--------	-------

ENVIRONMENTAL

Operational Temperature	-40°C to +60°C
-------------------------	----------------

Ingress Protection (IP)	IP-54 (when worn)
-------------------------	-------------------

ELECTRICAL

Impedance	230 ohm
-----------	---------

Sensitivity (mic)	4 mV / 220 ohm
-------------------	----------------

ACOUSTICAL

Frequency Response	90-7000 Hz
--------------------	------------

Noise Reduction	-12dB @ 1kHz
-----------------	--------------

AK5850BS Helmet attached hearing protector TwinCom with custom moulded earplug

SOUND ATTENUATION

Above 1kHz:	34 to 51 dB
-------------	-------------

500-1000 Hz	31,9 to 38,6 dB
-------------	-----------------

125-500 Hz	29,5 to 39,5 dB
------------	-----------------

H84	33 dB
-----	-------

M84	32 dB
-----	-------

L84	29dB
-----	------

SNR84	34 dB
-------	-------

CERTIFICATIONS

CENELEC safety standards	EN 60079-0: 2018 & EN 60079-11: 2012
--------------------------	--------------------------------------

IEC safety standards	IEC 60079-0: 2018, IEC 60079-11: 2012
----------------------	---------------------------------------

Marking	Ex ib IIC T4 Gb, Ta : -40°C to +60°C
---------	--------------------------------------

ATEX certificate	Nemko 03ATEX1351 Issue 9
------------------	--------------------------

IECEx certificate	IECEx PRE 15.0063 Issue 2
-------------------	---------------------------

PPE	(EU) 2016/425 (EN 352-1:2020, EN 352-2:2020, EN 352-3:2020, EN 352-6:2020 and EN 352-9:2020)
-----	--

Accessories



TAX-2B

Ex-Approved Plugbox & Cable for Headset with PTT



TA-22B

Industrial Plugbox & Cable for Headset with PTT

Used With



EAPFX-6-V2

Exigo Industrial Ex Access Panel, 6 Buttons - V2



EAPFX-1-V2

Exigo Industrial Ex Access Panel - V2



TFIX-1-V2

Ex IP Intercom Station- full keypad



TFIX-2-V2

Ex IP Intercom Station with 6 buttons



TFIX-3-V2

Ex IP Intercom Station with 3 buttons



TFIE-1

IP and SIP Intercom



TFIE-2

IP and SIP Intercom



EAPII-1

Exigo Industrial Access Panel, 1 Button



EAPII-6

Exigo Industrial Access Panel, 6 Buttons



TFIE-6

IP and SIP Intercom