



1008140180

TA-18

Turbine Compact Flush-Mount Back Box

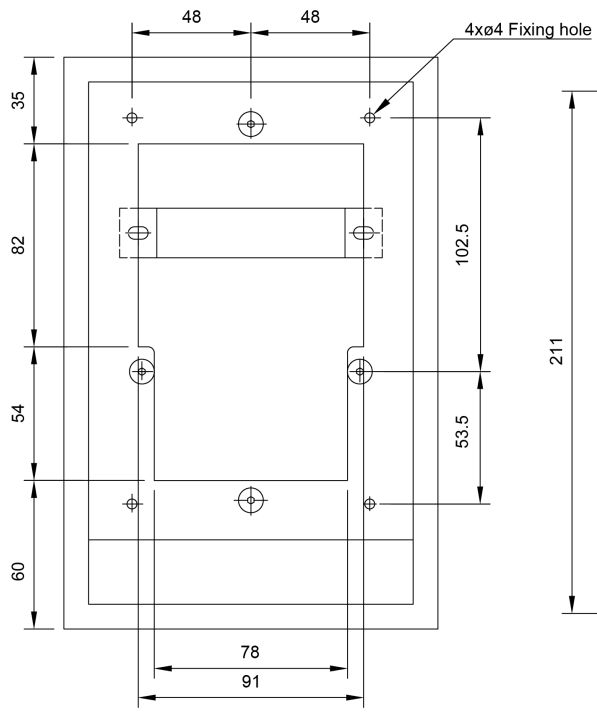
- ✓ Back Box for flush mounting of all Turbine Compact Stations
- ✓ Makes the front faceplate of the station flush with the wall surface
- ✓ No screw holes, the backbox is simply glued or cast in place

Description

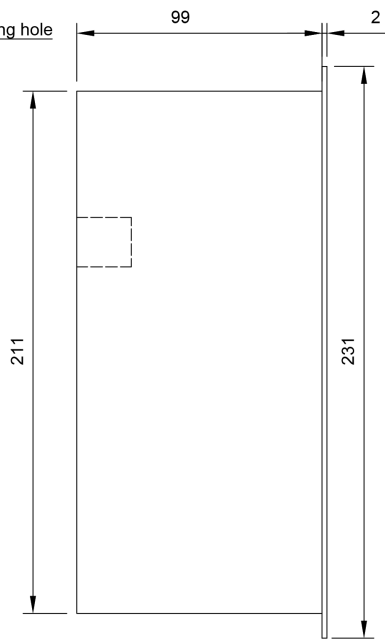
Flush mount backbox for Turbine Compact stations

Technical Dimensions

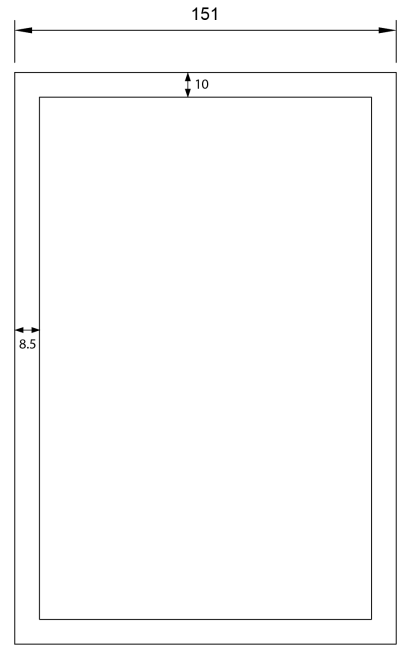
FRONT VIEW



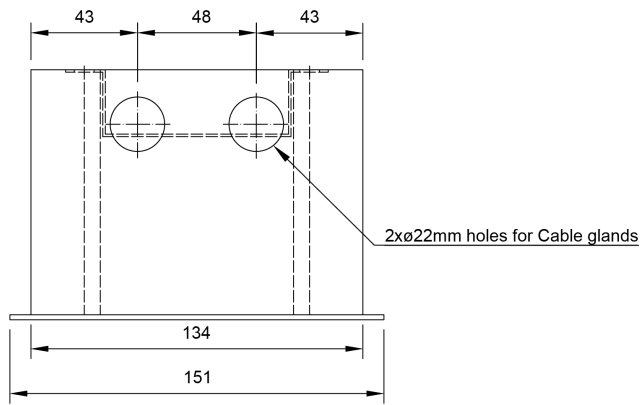
SIDE VIEW



REAR VIEW



BOTTOM VIEW



All dimensions in mm

Specifications

Dimensions (WxHxD):	151 x 231 x 101 mm
Weight:	1.5 kg
Material:	Mild Steel Black Paint

Used With



TCIS-1

IP and SIP Intercom



TCIS-2

IP and SIP Intercom



TCIS-3

IP and SIP Intercom



TCIS-4

IP and SIP Intercom



TCIS-5

IP and SIP Intercom



TCIS-6

IP and SIP Intercom



TCIV-2

Vandal Resistant VoIP Video Intercom This product has been replaced by 1008315020 TCIV-2+



TCIV-3

IP and SIP Video Intercom This product has been replaced by 1008315030 TCIV-3+



TCIV-6

IP and SIP Video Intercom This product has been replaced by 1008315060 TCIV-6+



TCIA-2

Analog over IP Intercom



TCAS-1

Analog Intercom



TCAS-2

Analog Intercom



TCAS-3

Analog Intercom