

2390020100

Touchless Sensor



Turbine



IP66

DESCRIPTION

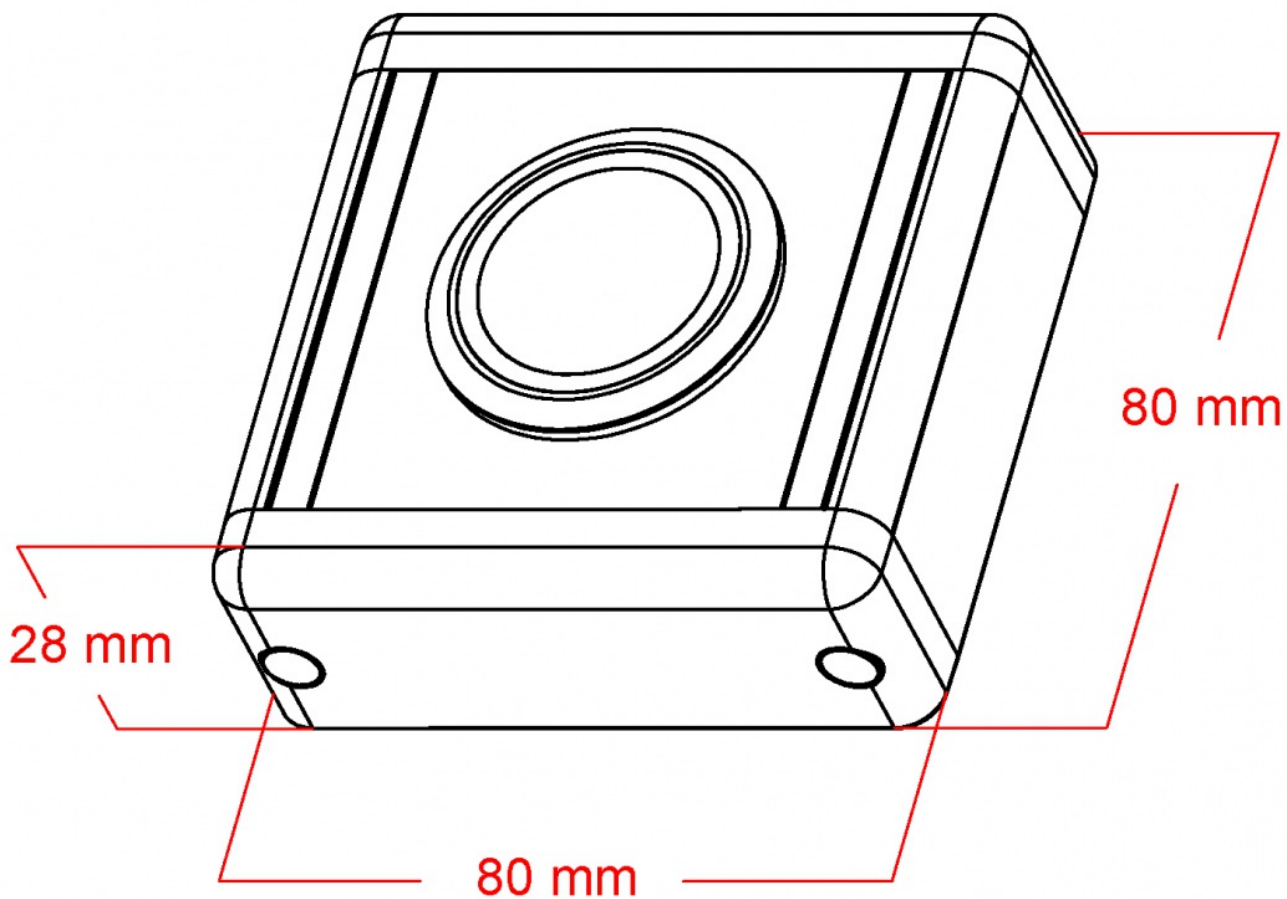
The Touchless Sensor is used to activate intercom calls by gesture recognition, e.g. swipe of the hand. The unit includes a backbox for on-wall mounting and is compatible with our Turbine Compact Series.

[See Zenitel Wiki for more information](#)

SPECIFICATIONS

Dimensions (WxHxD)	80 x 80 x 28 mm
Weight	0.202 kg
Power options	PoE and/or external power supply. 5V DC
Outputs	N.O, N.C, COM
Ingress Protection Rating	IP66
Sensor distance	150 mm
Sensor active time	0,5 secs
Lifetime	Infrared sensor:100 000 hours / Relay mechanical lifespan:100 000 times
Indicators	Standby RED ; Proximity GREEN
Backbox material	Stainless Steel / PC / Aluminum Alloy
Operating temperature	-10° C to +70° C
Country of manufacture	Norway

TECHNICAL DIMENSIONS



USED WITH



1008315020

TCIV-2+

IP and SIP Video Intercom



1008315030

TCIV-3+

IP and SIP Video Intercom

1008315050



TCIV-5+
IP and SIP Video Intercom



1008315060
TCIV-6+
IP and SIP Video Intercom



1008111010
TCIS-1
IP and SIP Intercom



1008111020
TCIS-2
IP and SIP Intercom



1008111030
TCIS-3
IP and SIP Intercom

1008111040
TCIS-4
IP and SIP Intercom



1008111050

TCIS-5
IP and SIP Intercom



1008111060

TCIS-6
IP and SIP Intercom



1008111901

TCIS-C1
IP and SIP Intercom

